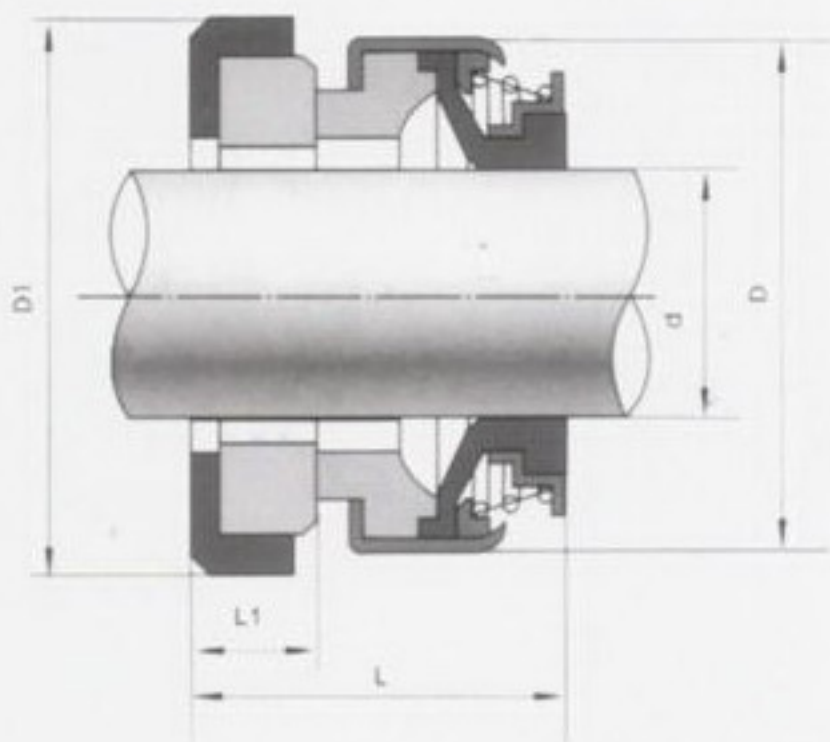


# TYPE Y

Unit:m/m



| SPEC/SIZE | d  | D   | D1   | L    | L1  |
|-----------|----|-----|------|------|-----|
| Y-6       | 6  | 18  | 22   | 12.8 | 4   |
| Y-8       | 8  | 18  | 22   | 12.8 | 4   |
| Y-8A      | 8  | 18  | 22   | 15.3 | 4   |
| Y-8B      | 8  | 24  | 26   | 16.8 | 5.5 |
| Y-8C      | 8  | 24  | 26   | 19.3 | 8   |
| Y-9       | 9  | 24  | 26   | 16.8 | 5.5 |
| Y-9A      | 9  | 24  | 26   | 19.3 | 8   |
| Y-10      | 10 | 24  | 26   | 16.8 | 5.5 |
| Y-10A     | 10 | 24  | 26   | 19.3 | 8   |
| Y-11      | 11 | 24  | 26   | 16.8 | 5.5 |
| Y-11A     | 11 | 24  | 26   | 19.3 | 8   |
| Y-12      | 12 | 24  | 26   | 18.8 | 5.5 |
| Y-12A     | 12 | 24  | 26   | 21.3 | 8   |
| Y-12B     | 12 | 32  | 29.5 | 21.3 | 8   |
| Y-12C     | 12 | 32  | 38   | 21.3 | 8   |
| Y-13      | 13 | 24  | 26   | 18.8 | 5.5 |
| Y-13A     | 13 | 24  | 26   | 21.3 | 8   |
| Y-14      | 14 | 32  | 29.5 | 21.3 | 8   |
| Y-14A     | 14 | 32  | 38   | 21.3 | 8   |
| Y-14B     | 14 | 35  | 29.5 | 21.3 | 8   |
| Y-14C     | 14 | 35  | 38   | 21.3 | 8   |
| Y-15      | 15 | 32  | 29.5 | 21.3 | 8   |
| Y-15A     | 15 | 32  | 38   | 21.3 | 8   |
| Y-15B     | 15 | 35  | 29.5 | 21.3 | 8   |
| Y-15C     | 15 | 35  | 38   | 21.3 | 8   |
| Y-16      | 16 | 32  | 29.5 | 21.3 | 8   |
| Y-16A     | 16 | 32  | 38   | 21.3 | 8   |
| Y-16B     | 16 | 35  | 29.5 | 21.3 | 8   |
| Y-16C     | 16 | 35  | 38   | 21.3 | 8   |
| Y-16D     | 16 | 39  | 42   | 21.3 | 8   |
| Y-17      | 17 | 39  | 42   | 21.3 | 8   |
| Y-18      | 18 | 39  | 42   | 21.3 | 8   |
| Y-19      | 19 | 39  | 42   | 21.3 | 8   |
| Y-20      | 20 | 39  | 42   | 21.3 | 8   |
| Y-20A     | 20 | 42  | 45   | 23.3 | 10  |
| Y-22      | 22 | 42  | 45   | 23.3 | 10  |
| Y-24      | 24 | 47  | 50   | 24.3 | 10  |
| Y-25      | 25 | 47  | 50   | 24.3 | 10  |
| Y-28      | 28 | 54  | 57   | 25.3 | 10  |
| Y-30      | 30 | 54  | 57   | 25.3 | 10  |
| Y-32      | 32 | 54  | 57   | 25.3 | 10  |
| Y-35      | 35 | 60  | 63   | 26.3 | 10  |
| Y-38      | 38 | 65  | 68   | 30.3 | 12  |
| Y-40      | 40 | 65  | 68   | 30.3 | 12  |
| Y-45      | 45 | 70  | 73   | 32.3 | 12  |
| Y-50      | 50 | 85  | 88   | 38.3 | 15  |
| Y-55      | 55 | 85  | 88   | 38.3 | 15  |
| Y-60      | 60 | 105 | 110  | 45.3 | 15  |
| Y-65      | 65 | 105 | 110  | 45.3 | 15  |
| Y-70      | 70 | 105 | 110  | 47.3 | 15  |



## USAGE

major for water pumps & submersible pumps

## SPECIFICATION

Temperature: -20°C ~ 100°C

Pressure:  $\leq 6 \text{ kg/cm}^2$

Speed:  $\leq 15 \text{ m/sec}$