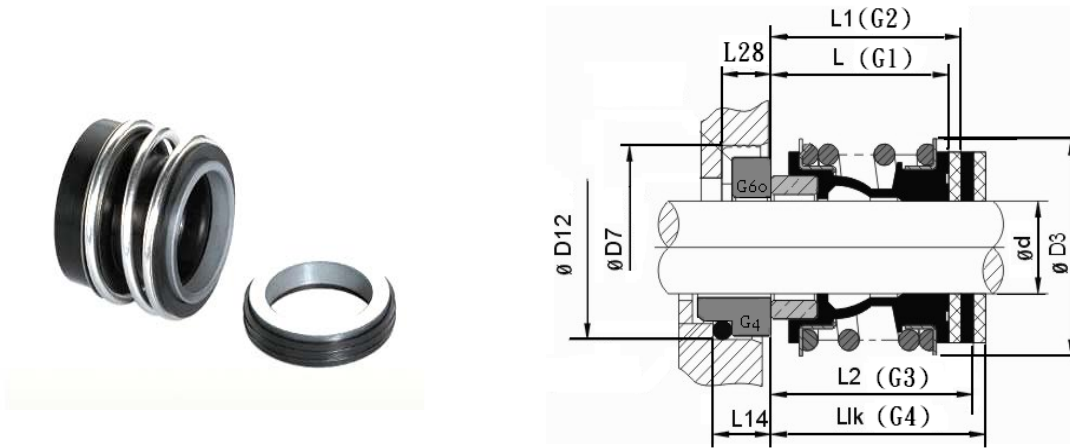
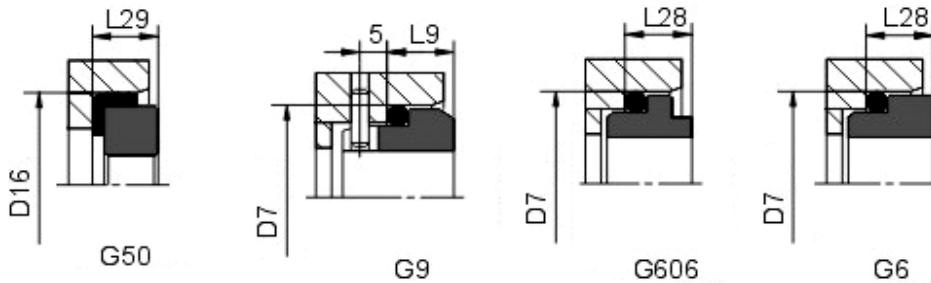


TYPE G



静環型式



USAGE

All type of rotating equipment, such as centrifugal pumps and agitators. For most general and light chemical duties, wherever an elastomer secondary seal can be used.

Specification

Temperature: $-30^{\circ}\text{C} \sim 220^{\circ}\text{C}$

Pressure: $\leq 12\text{kg/cm}^2$

Speed: $\leq 12\text{m/sec}$