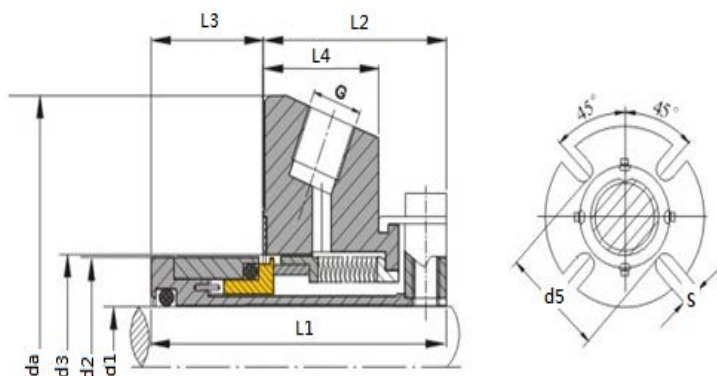


TYPE M700



SPECIFICATION

Temperature: $-20^{\circ}\text{C} \sim 200^{\circ}\text{C}$

Pressure: $\leq 15 \text{ kg/cm}^2$

Speed: $\leq 20 \text{ m/sec}$

Materials :

Stationary Ring (靜止環) : SIC / TC

Rotary Ring (迴轉環) : SIC / TC

Secondary Seal : NBR / VITON

Metal parts (金屬零件) : SUS304 / SUS316

Seal size d(m)	d ₁	d ₂	d ₃ min max		da	L ₁	L ₂	L ₃	L ₄	S	G (Inches)	M	d _s
25	25	43.0	44.0	51.0	105	67	42.4	24.6	25.4	14	1/4"	6	62
28	28	46.0	47.0	52.0	105	67	42.4	24.6	25.4	14	1/4"	6	62
30	30	48.0	49.0	56.0	105	67	42.4	24.6	25.4	14	1/4"	6	65
32	32	49.8	51.0	57.0	110	67	42.4	24.6	25.4	14	1/4"	6	67
33	33	49.8	51.0	57.0	110	67	42.4	24.6	25.4	14	1/4"	6	67
35	35	53.0	54.0	61.5	113	67	42.4	24.6	25.4	14	1/4"	6	71
38	38	56.0	57.0	66.0	123	67	42.4	24.6	25.4	14	3/8"	6	76
40	40	58.0	59.0	68.0	123	67	42.4	24.6	25.4	16	3/8"	6	76
42	42	60.5	61.5	69.5	133	67	42.4	24.6	25.4	16	3/8"	6	80
43	43	60.5	61.5	70.5	133	67	42.4	24.6	25.4	16	3/8"	6	80
45	45	62.5	64.0	73.0	138	67	42.4	24.6	25.4	16	3/8"	6	83
48	48	65.6	67.0	75.0	138	67	42.4	24.6	25.4	16	3/8"	6	85
50	50	68.0	69.0	78.0	148	67	42.4	24.6	25.4	16	3/8"	6	88
53	53	72.0	73.0	83.0	148	67	42.4	24.6	25.4	18	3/8"	6	98
55	55	73.0	74.0	87.0	148	67	42.4	24.6	25.4	18	3/8"	6	97
60	60	78.0	79.0	91.0	157	67	42.4	24.6	25.4	18	3/8"	6	102
65	65	83.0	84.5	98.5	163	67	42.4	24.6	25.4	18	3/8"	6	109
70	70	93.0	95.0	108	178	67	42.4	24.6	25.4	18	3/8"	6	118
75	75	100	101.6	118	190	84	57.4	26.6	28	18	3/8"	8	129
80	80	106.4	108.0	124	195	84	57.4	26.6	28	18	3/8"	8	135
85	85	109.5	111.1	128	198	84	57.4	26.6	28	22	3/8"	8	139
90	90	115.9	117.5	135	205	84	57.4	26.6	28	22	3/8"	8	145
95	95	119.1	120.7	138	208	84	57.4	26.6	28	22	3/8"	8	148
100	100	125.4	127.0	144	218	84	57.4	26.6	28	22	3/8"	8	154