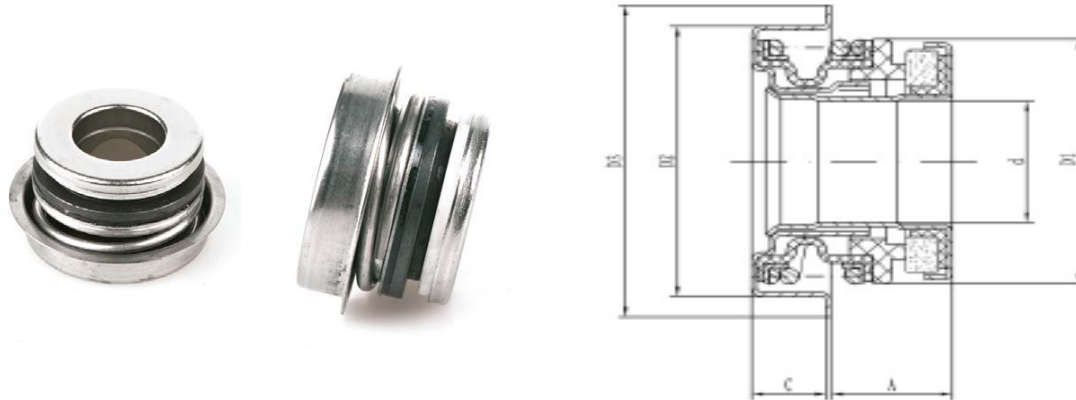


TYPE 7CK



Specification

Temperature : - 35°C ~ 135°C

Pressure : ≤ 0.3 MPa

Speed : ≤ 6500 r/min

MATERIAL

Parts & Spring : Stainless Steel

Rubber parts : NBR & HNBR

Stationary Ring : Carbon/Silicon Carbide

Rotary Ring : Ceramic/Silicon Carbide

Model	d	A	C	D1	D2	D3
7CK-0	15.918	11.84	7.1	31.5	34.2	39.5
7CK-1	15.918	10.4	8	31.5	36.5	41.0