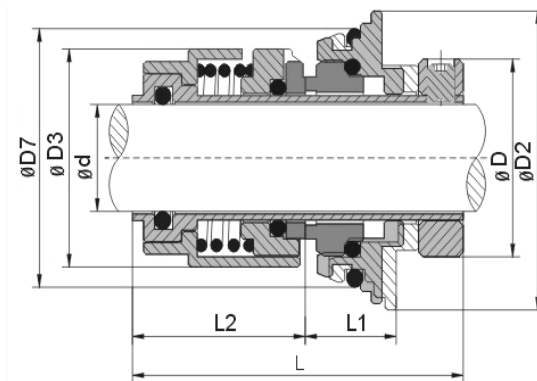


TYPE GF



Specification

Pressure: $\leq 20 \text{kg/cm}^2$

Speed: $\leq 12 \text{m/sec}$

Temperature: $\leq -30^\circ\text{C} \sim 200^\circ\text{C}$

Standard Materials (標準材質) :

Stationary Ring (靜止環) : SIC / TC

Rotary Ring (迴轉環) : SIC / TC

Secondary Seal : NBR / VITON

Metal parts (金屬零件) : SUS304 / SUS316

d	D3	D7	D	D2	L	L1	L2
12	25	29	25	41.0	58	19	32.0
16	30	34	29	46.5	59	20	30.5
22	43	50	39	60.0	72	20	37.0