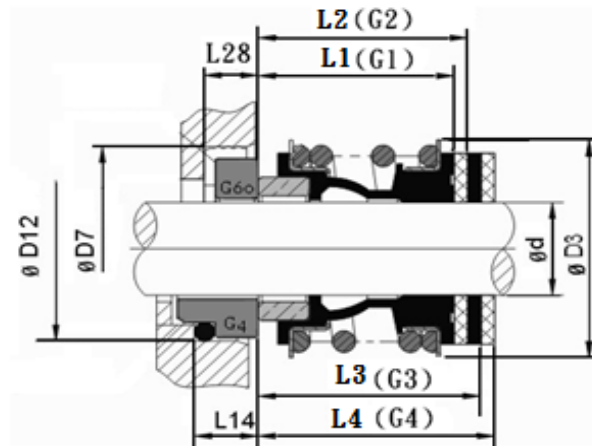
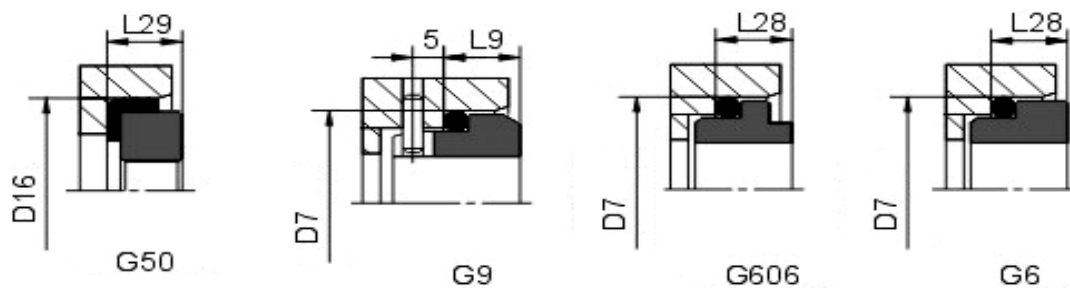


TYPE G



靜環型式



USAGE

all type of rotating equipment, such as centrifugal pumps, agitators, for most general and light chemical duties, wherever an elastomer secondary seal can be used

Specification

Temperature: $-20^{\circ}\text{C} \sim 220^{\circ}\text{C}$

Pressure: $\leq 12\text{kg/cm}^2$

Speed: $\leq 12\text{m/sec}$

Rotary Ring (Carbon/SiC/TC)

Stationary Ring (Ceramic/SiC/TC)

Secondary Seal (NBR/VITON)

Spring & Other Parts (SUS304)